

# ORION PCAP professional display

- Wide dynamic range of Interactive 32" ~ 86"



## Features

### Design

- ✓ Edge to edge glass (Bezel free)
- ✓ Robust metal works
- ✓ All rounded 4 corners
- ✓ VESA wall & Side mountable

### Display

- ✓ Long term usable commercial LCD panel (24/7/365)
- ✓ Ultra HD resolution
- ✓ Compatible panel for
  - Landscape, Portrait, Table

### Functionality

- ✓ Fastest P-CAP touch (10p/50p)
- ✓ Alternative interface
  - HDMI, DP, DVI, VGA
- ✓ Ventilation FAN

### Option

- ✓ PC / Android built in
- ✓ Various glass coating (AR, AG, AF, Mirror etc)
- ✓ Screen rotation button



## Specification

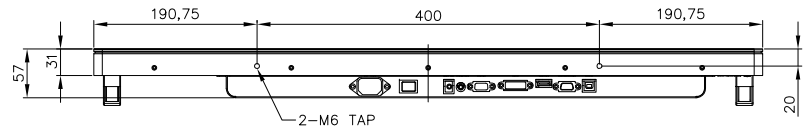
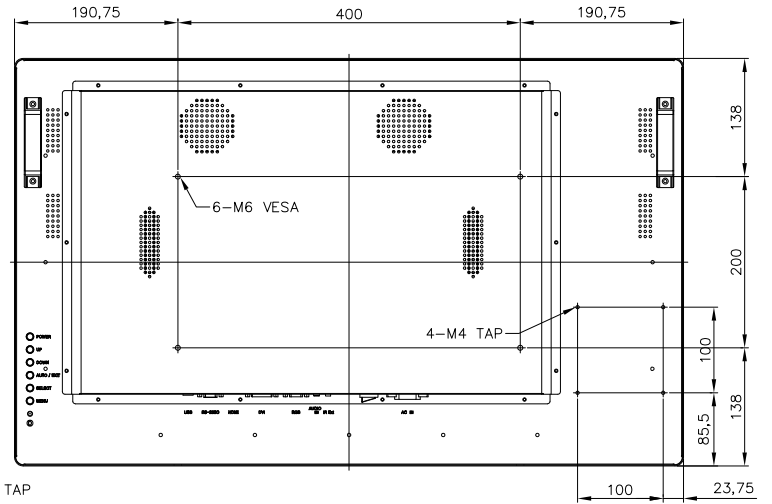
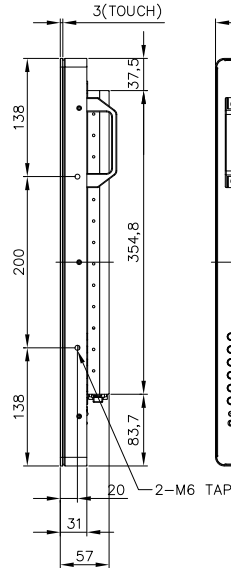
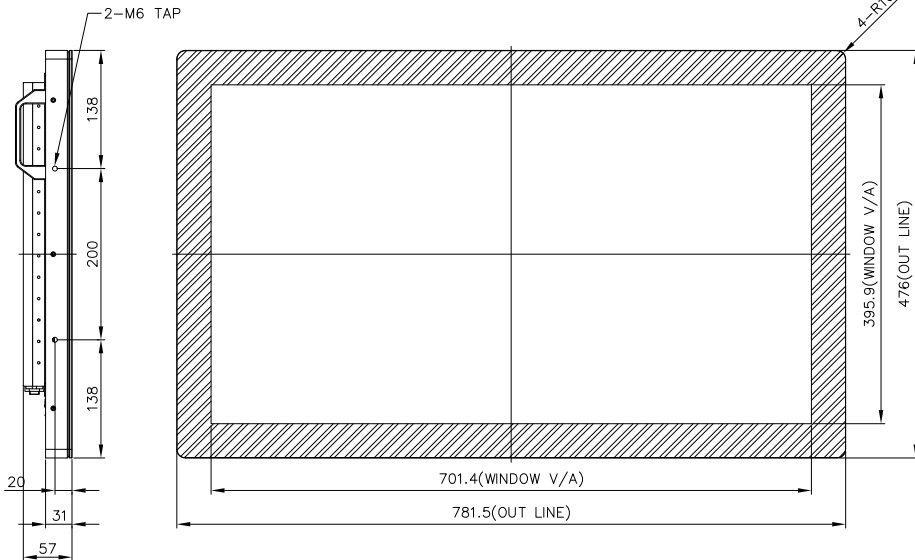
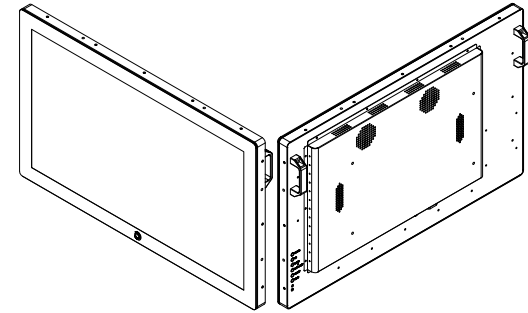
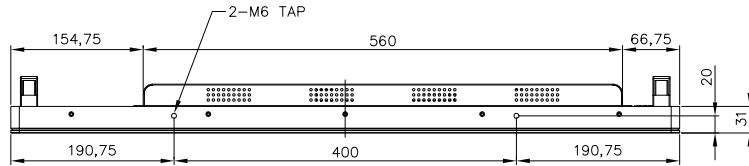
Model	OLSK-3250CP	OLSK-4350CP	OLSK-4650CP	OLSK-5550CP	OLSK-6550CP	OLSK-8650CP
Panel Size (inch)	32	43	46	55	65	86
Aspect Ratio	16:9	16:9	16:9	16:9	16:9	16:9
Max. Resolution	FHD	UHD	FHD	UHD	UHD	UHD
Contrast Ratio (Typ.)	1300:1	1000:1	4000:1	1100:1	1100:1	1200:1
Brightness (panel) cd/m <sup>2</sup>	450	400	500	500	500	500
Viewing Angle (H)/(V) (Typ.)	178°/178°	178°/178°	178°/178°	178°/178°	178°/178°	178°/178°
Input Signal	HDMI, DVI-D, VGA	HDMI 2.0 x 2 DP 1.2 x 2	HDMI, DVI-D, VGA	HDMI 2.0 x 2 DP 1.2 x 2	HDMI 2.0 x 2 DP 1.2 x 2	HDMI 2.0 x 2 DP 1.2 x 2
Audio	Input/output	HDMI Φ3.5 Phone Jack Speaker	HDMI DP	HDMI Φ3.5 Phone Jack Speaker	HDMI, DP Φ3.5 Phone Jack Speaker	HDMI, DP Φ3.5 Phone Jack Speaker
	Speaker Output	10Wrms + 10Wrms (±10%)	10Wrms + 10Wrms (±10%)	10Wrms + 10Wrms (±10%)	10Wrms + 10Wrms (±10%)	10Wrms + 10Wrms (±10%)
Plug & Play	VESA DDC2B		VESA DDC2B	VESA DDC2B		
Power Input	AC 100V~240V (50/60Hz)	AC 100V~240V (50/60Hz)	AC 100V~240V (50/60Hz)	AC 100V~240V (50/60Hz)	AC 100V~240V (50/60Hz)	AC 100V~240V (50/60Hz)
Touch Technology	PCAP	PCAP	PCAP	PCAP	PCAP	PCAP
Touch Input Method	Finger, Pen (Capacitive)	Finger, Pen (Capacitive)	Finger, Pen (Capacitive)	Finger, Pen (Capacitive)	Finger, Pen (Capacitive)	Finger, Pen (Capacitive)

■ The specification is subject to change without prior notice

www.oriondisplay.net

등급	공차		
	I	II	III
0 ~ 4 이하	±0.1	±0.2	±0.3
4 ~ 16 이하	±0.2		
16 ~ 63 이하	±0.3	±0.3	±0.5
63 ~ 250 이하	±0.5	±0.5	±0.8
250 ~ 1000 이하	±0.8	±0.8	±1.2
1000 ~	±1.5	±1.5	±2.3
각도			
표면거칠기			

▶Rev.	▶ 변경 내용	▶ 수정 일자	▶ 작성	▶ 검토	▶ 승인



주 기 란

1. 재 질 : GI= 1.0t
2. 도 장 : 약조노벨 EN 302K(BLACK)
3. 제작 수량 : 1SET / 1EA
4. 날카로운 모서리 C, R 최소로 할것.
5. 외곽 모서리부 단차 발생 및 표면에 스크래치 주의 할것.
6. PEMNUT 사양 및 , BURRING TAP 방향에 주위 할것.

No.	PART CODE	PART NAME	MATERIAL	Q'TY	REMARKS
UNITS	SCALE	PROJECTION	MATERIAL	GI 1.0t	MODEL NAME
단위	척도	표면처리	FINISH	표면처리	MEW320-A1P81J-FHD-AG
	DESIGNED BY	CHECKED BY	APPROVED BY	PART NAME	외형도
				PART NO.	